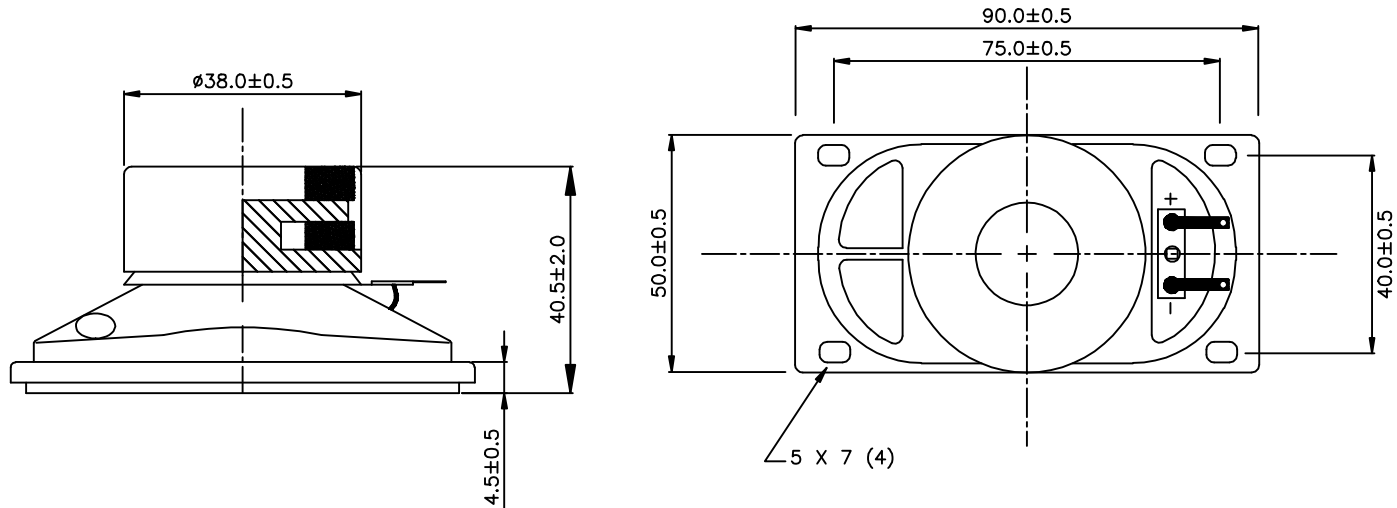


THIS DOCUMENT CONTAINS DATA PROPRIETARY TO PROJECTS UNLIMITED, INC. ANY USE OR REPRODUCTION, IN ANY FORM, WITHOUT PRIOR WRITTEN PERMISSION OF PROJECTS UNLIMITED, INC. IS PROHIBITED.
 ©2003, Projects Unlimited Inc.

SPECIFICATIONS


| PARAMETERS | VALUES | UNITS |
|---|--------------|-------|
| RATED INPUT POWER | 5.0 | W |
| MAX INPUT POWER | 8.0 | W |
| IMPEDANCE | 8±15% | OHM |
| OUTPUT SPL @ 1.0W/0.5M (AT 0.6, 0.8, 1.0, 1.2 kHz) | 86±3 | dBA |
| DISTORTION | 5% | - |
| RESONANT FREQUENCY | 240±20% | Hz |
| FREQUENCY RANGE | 240 ~ 18,000 | Hz |
| HOUSING MATERIAL | METAL | - |
| CONE MATERIAL | PAPER | - |
| MAGNET MATERIAL | FERRITE | - |
| OPERATING TEMPERATURE | -20 ~ +55 | °C |
| WEIGHT | 128.44 | grams |

| REVISIONS | | | |
|-----------|---------------------------|----------|----------|
| LTR | DESCRIPTION | DATE | APPROVED |
| - | RELEASED FROM ENGINEERING | 8/16/05 | |
| A | REVISED MAGNET DIAMETER | 12/19/07 | R.W. |



NOTES:

1. ALL DIMENSIONS ARE IN MILLIMETERS.
2. SPECIFICATION SUBJECT TO CHANGE OR WITHDRAWAL WITHOUT NOTICE.
3. THIS PART IS RoHS 2002/95/EC COMPLIANT.

| | | | |
|---|--|--|---------------|
| UNLESS OTHERWISE SPECIFIED: DIMENSIONS ARE IN MILLIMETERS, TOLERANCES ARE ±0.5 AND ANGLES ARE ±3°. | |  projects® unlimited Dayton, Ohio | |
| APPROVALS DRAWN <i>J.A.F.</i> 8/05 APPROVED <i>B.R.</i> 8/05 <i>E.P.</i> 8/05 | | DYNAMIC SPEAKER AS09008PO-2-R DRAWING NO. AS09008PO-2-R | |
| FILE NAME AS09008PO-2-R.DWG | | SIZE A | SCALE: N.T.S. |
| DO NOT SCALE DRAWING | | SHEET 1 OF 1 | |